

Technical Data

Contact rating (max)	W / VA	10
Max. switching voltage	VDC (peak)	100
	VAC (rms)	100
Max. switching current	A (peak)	0.5
Max. limiting carry current at 125% PI	A	1

Parameters above have to be strictly observed !!

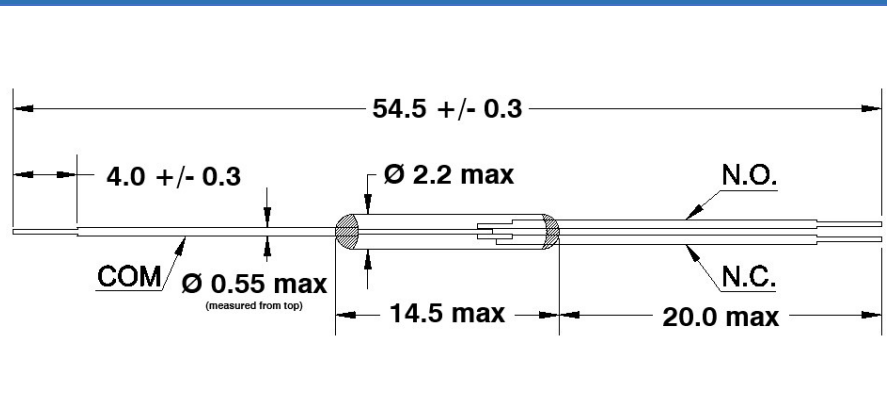
Standard pull in range PI	AT	10 to 55
Release (min)	AT	8
Max. initial contact resistance at 125% PI	mΩ	100
Min. insulation resistance	Ω	10 ⁹
Min. dielectric strength	VDC (peak)	200
	VAC (rms)	200
Max. switching frequency	Hz	250
Typical operating time at 150% PI.	ms	2
Typical release time (without diode)	ms	0.02
Typical bounce time 150% PI 50Hz	ms	0.6
Typical capacitance (open contacts)	pF	0.8

Environmental conditions

Operating temperature	°C	-40 to +150
Max. vibration (50-2000 Hz)	g	30
Max. shock during half sin 11ms	g	50

All data for unmodified reed switches measured with standard test coil C_Janus2511 (5 000 turns, wire diameter 0.071mm and coil resistance 450 Ω).

Dimensions (mm)



Changeover Reed Switch JRC10

Form C Switch

High reliability and life expectancy

- Original JanusReedContact
- Contact material Rh
- 10W, 0.5A changeover switch
- Filled with inert gas
- Gold-plated leads
- Actuation either by permanent magnet or coil
- Tight hysteresis possible "CD"
- AT range from 10 to 55 possible

Application:

- Measurement systems
- Proximity sensors
- Position detection
- Fluid level sensing, etc.

Handling and modification:

Reed switch must be protected while handling, cutting, bending, mounting, encapsulating, welding, soldering etc.. During modification, care must be taken not to apply excessive mechanical force that could result in hermetic seal damage. Recommended distance from end of glass capsule for lead bending and cutting is no less than 1.2mm. We can offer crop and form customisation to your specification.

Ordering:

Packaging factor = 200pcs

AT ranges and additional modification based on your drawings possible.